



SiC-based UV photodiode

Model: SSL-ABC-3535MQC

General Features:

-
-
-
-
-

Applications:

Specifications:

Parameters	Symbol	Value	Unit
------------	--------	-------	------

Maximum ratings

General characteristics (25 °C)

Spectral response characteristics



ir

I

C

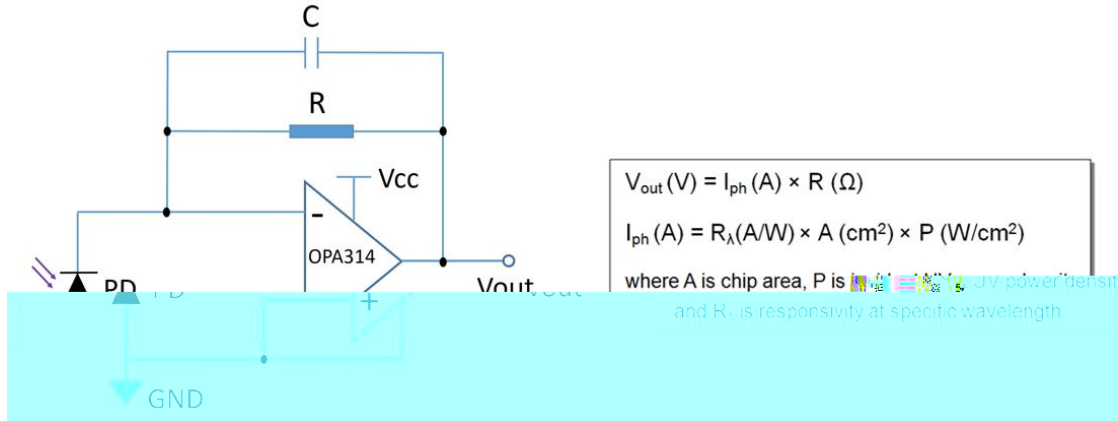
oo



SiC-based UV photodiode

Model: SSL-ABC-3535MQC

Application circuit:



Evaluation circuit board:

