

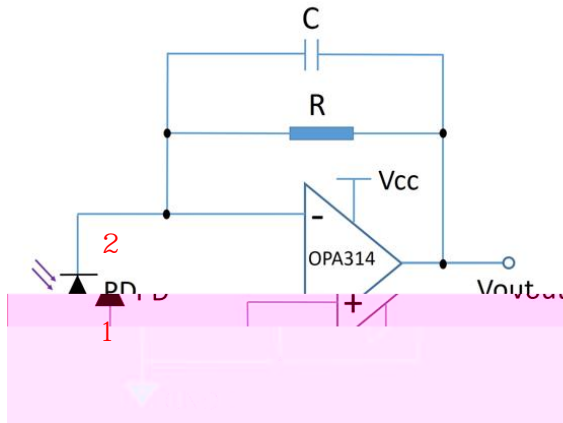


-
-
-
-
-



D 6
D B





$$V_{out} (V) = I_{ph} (A) \times R (\Omega)$$

$$I_{ph} (A) = R_{\lambda} (A/W) \times A (cm^2) \times P (W/cm^2)$$

where A is chip area, P is UV power density and R_{λ} is responsivity at specific wavelength

