



-
- -
 -
 -
 -



U J .D.

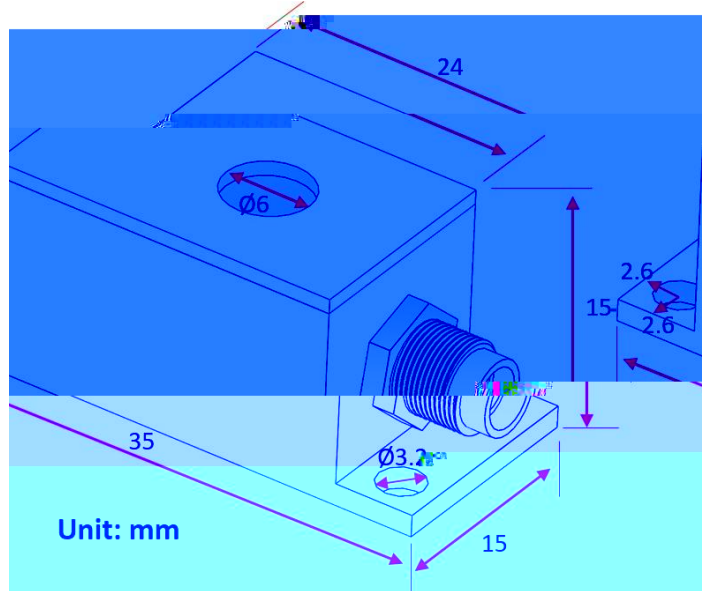


U .&

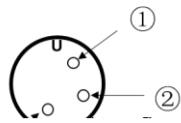
H

n r D

b A O



Analog Plug



Connector View
3 pin M5*0.5
Pin ① = power supply

Wiring Connections

